



FEATURES

- Voltage Relays for installer convenience
- 115 and 230 volt models
- 208 volt relay available for low voltage applications
- Start Capacitors with resistors
- NEMA 3R enclosure for indoor or outdoor mounting
- Quick disconnect cover design will retrofit with other Q-D control boxes
- Multiple knockouts
- Two grounding lugs

AGENCY LISTINGS



TESTED TO UL AND CSA STANDARDS BY UL.

Quick Disconnect Control Boxes

FOR 4", 1Ø, 3-WIRE SUBMERSIBLE MOTORS

GOULDS ORDER NUMBERS ORDER NUMBERS

Control Box Order Number	HP	KW	Volts	Replaces old #	May Replace FE #	Standard Circuit Breaker	Standard Fuse	Dual Element Time Delay Fuse	Enclosure Dimensions W x D x H (in)	Shipping Wt. (lbs)
CB05411	.5	.37	115	00043	280 104 49	30 A	35 A	20 A	4.8 x 2.9 x 8.4	4
CB05412	.5	.37	230	00044	280 105 49	15 A	20 A	10 A	4.8 x 2.9 x 8.4	4
CB07412	.75	.55	230	00054	280 107 49	20 A	25 A	15 A	4.8 x 2.9 x 8.4	4
CB10412	1	.75	230	00064	280 108 49	25 A	30 A	20 A	4.8 x 2.9 x 8.4	4

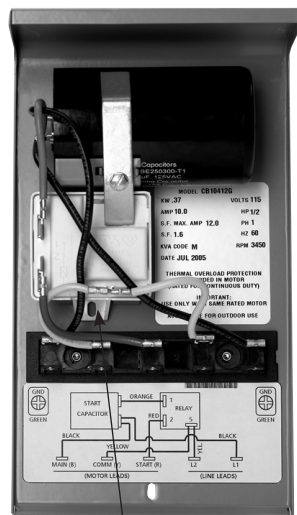
"K" REPAIR PARTS FOR QUICK DISCONNECT STYLE CONTROL BOXES*

Goolds Control Box Order Number	HP	Volts	Capacitor Repair Part Order Number	Start Capacitor Mfd.	Capacitor Voltage	Capacitor Quantity	Start Relay Order Number
CB05411	.5	115	9K450	250-300	125	1	① 9K457 ② 9K566
CB05412		230	9K448	59-71	250		① 9K462 ② 9K567
CB07412	.75		9K449	86-103			
CB10412	1		9K447	105-126			

* Repair parts above will work in new voltage relay control boxes as well as in control boxes shown in "Replaces Column" above.

- ① First Design - Up to June 2009 - Relay tab on bottom, capacitor held by bracket and screw. See pictures below. 208 V use 9K461 relay.
- ② Current Design - Starting June 2009 - Relay tab on top and capacitors, all held by one screw. See pictures below. The relays are designed for operation in a specific orientation, therefore there are two different numbers now. 208 V use 9K568 relay.

First Design



Tab Down ①

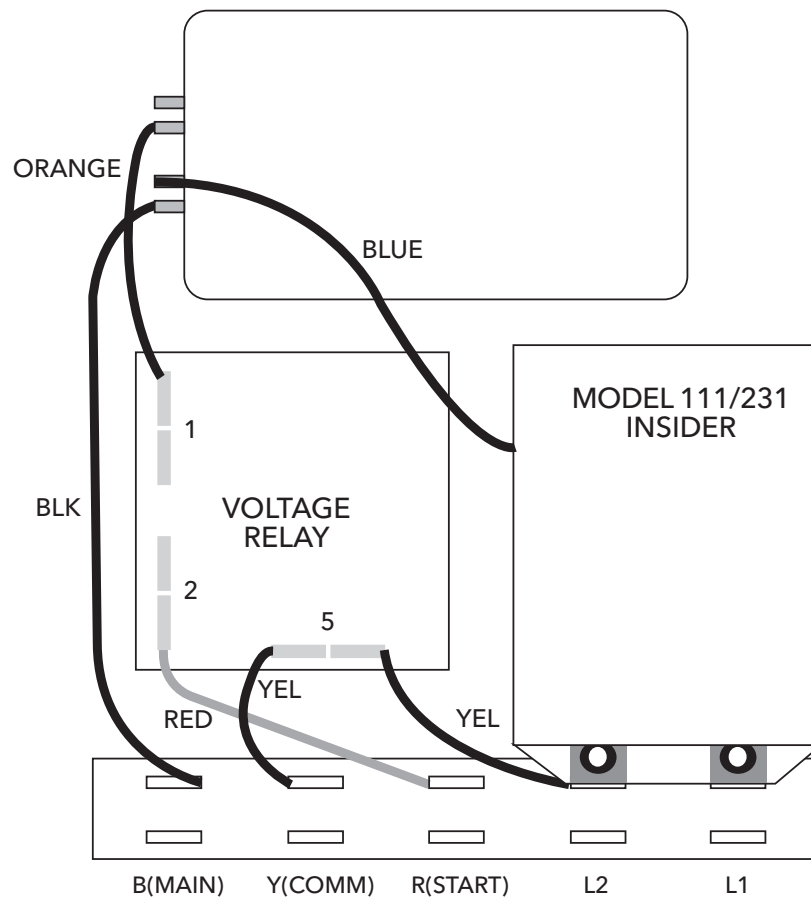
Current Design



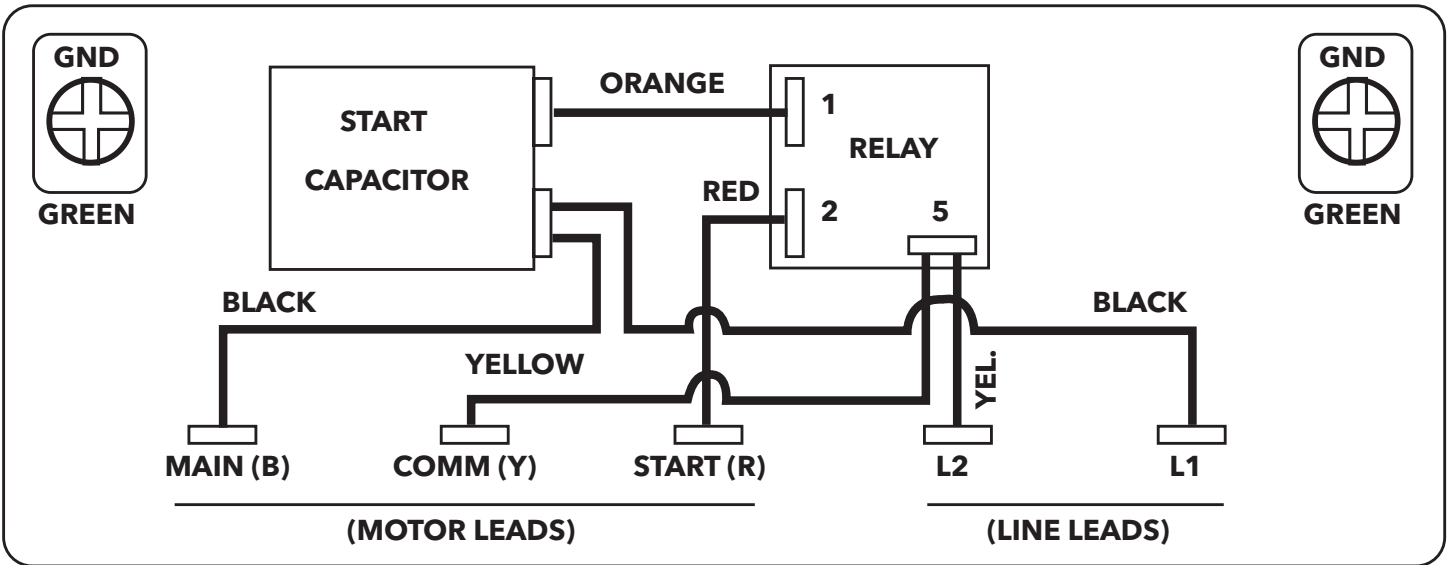
Tab Up ②

INSTALLING A PumpSaver® INSIDER

1. Remove the cover from the front of the 3-wire Goulds control box.
2. Remove the yellow wire from the terminal strip at L2.
3. Remove the black wire from L1 to the capacitor.
4. Press the PumpSaver onto the L1 and L2 terminals.
5. Reconnect the yellow wire to L2 on the PumpSaver.
6. Connect the blue wire attached to the PumpSaver to the dual-lug terminal (with the black wire) of the capacitor.



WIRING DIAGRAM



Xylem Inc.
2881 East Bayard Street Ext., Suite A
Seneca Falls, NY 13148
Phone: (866) 325-4210
Fax: (888) 322-5877
www.xylem.com/goulds

Xylem is a registered trademark of Xylem Inc. or one of its subsidiaries. Goulds is a registered trademark of ITT Manufacturing Enterprises LLC and is used under license. All other trademarks or registered trademarks are property of their respective owners.
© 2023 Xylem Inc. BCQD R3 January 2023