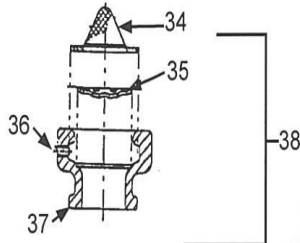
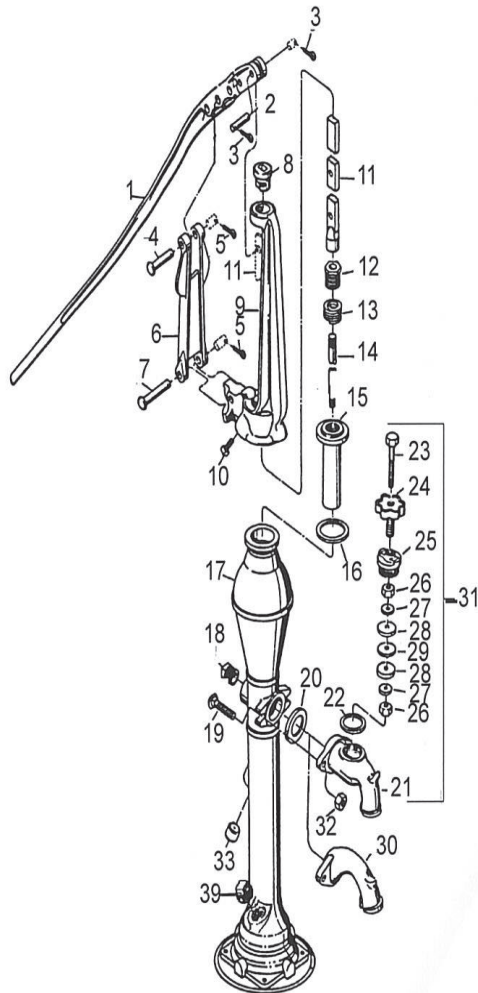
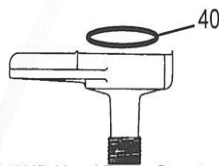


Hand Pumps

Models 11HD & 11HDA, 12HD & 12HDA



Screen Adapter attaches to end of spout.



146HD Hand Pump Spout to hose thread adapter.
Used on Force Pumps only.
Optional.

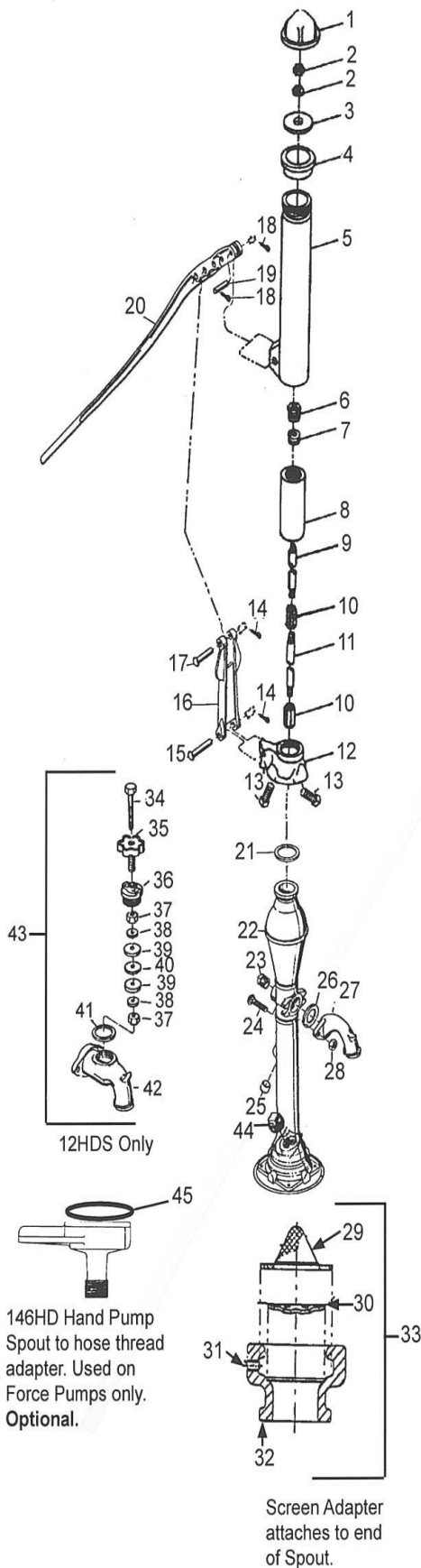
Force Hand Pumps

Model No. 11HD, 11HDA, 12HD & 12HDA

Item	Qty	Description	Ord. No.
1	1	Handle & Pin Assby, includes #2 & 3	HF153
2	1	Pump Pin	HF61A
3	2	Cotter Pin	HF57
4	1	Fulcrum & Handle Pin 5/8" x 3"	O54
5	2	Cotter Pin	HF57
6	1	Fulcrum includes #4, 5 & 7	O400
7	1	Fulcrum & Cap Pin 5/8" x 3-3/4"	O53
8	1	Upper Piston Bar Guide	O460
9	1	Pump Cap includes #10	O200
10	3	Set Screw 1/2"-13NC x 1-1/2"	HD59
11	1	Flat Piston Bar	O50
12	1	Packing Nut	O31
13	1	Valve Stem Packg-Graphite rope 3/16" x 19"	HD67
14	1	Piston Rod (16 7/8" long) 303 S.S.	O52
15	1	Packing Flange	O6
16	1	Packing Washer 1/16" in. thick	O81
17	1	Base & Plug Assby. - 1-1/4"	HD140
17	1	Base & Plug Assby. - 2"	HD140A
18	1	Pipe Plug, 1-1/4" NPT	HD71
19	2	Bolt, 3/8"-16NC x 2-1/4"	HD70
20	1	Gasket 1/8" thick	O80
21	1	Bibb Spout Body Casting	O37FRO
22	1	Packing Washer	TP82
---	1	Valve Assby. includes #22 thru 29	HD155
23	1	Hex Head Cap Screw 3/8" x 3-1/2"	HD34
24	1	Hand wheel & screw assby.	HD156FRO
25	1	Cap	O38FRO
26	2	Nut 3/8"-16NC	UB17
27	2	Backing Washer	O41
28	2	Rubber Valve Disk	O43
29	1	Separating Washer	O42
30	1	Siphon Spout for 11HD	O9
31	1	Bibb Spout Assby. includes #21-29	O7
32	2	Hex Nut, 3/8" - 16NC	UB17
33	1	Screen Vent	PS585A
34	1	Spout Screen	HD190
35	1	Strainer	DP31
36	1	Set screw, 1/4" x 20 x 3/8" L	E49N
37	1	Screen Adapter includes #36	HD189
38	1	Hand Pump Screen Adapter Kit	1HPS
39	1	Pipe Plug, 1" NPT	SW33
40	1	Gasket	HD69

Hand Pumps

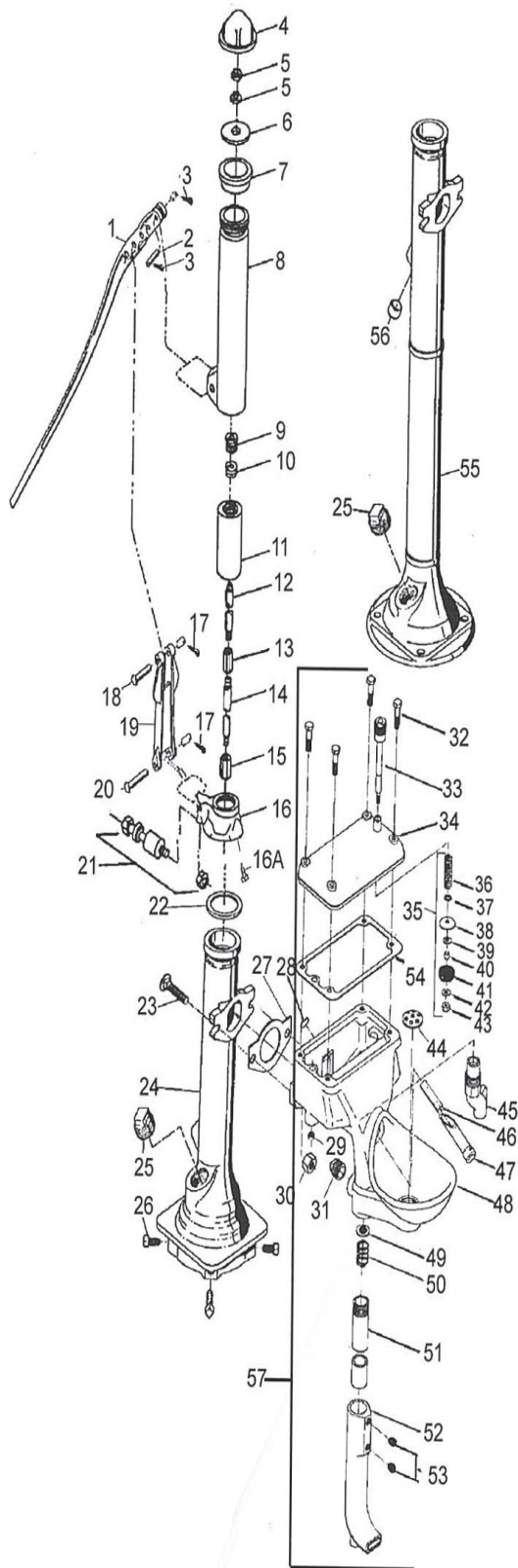
Models 11HDS & 12HDS



Force Hand Pumps			
Model No.		11HDS & 12HDS	
Item	Qty	Description	Ord. No.
1	1	Top Cap	DP60P
2	2	Jam Nut	DP22
3	1	Piston Washer	DP62
4	1	Spacer Ring	DP61
5	1	Outer Shroud Assby	DP66P
6	1	Packing Nut	O31
7	1	Teflon Packing	DP134
8	1	Inner Shroud Assembly	DP68P
9	1	Piston Rod	DP72
10	2	Rod Coupling	7/16x7/16RC
11	1	Pump Rod extension 13-3/8" L.	HD90
12	1	Cap (includes #13)	DP202P
13	3	Set Screw 1/2-13NC x 1-1/2" L.	HD59
14	2	Cotter Pin	HF57
15	1	Fulcrum & Cap Pin, 5/8" x 3-3/4"	O53
16	1	Fulcrum includes 14, 15, 17	O400
17	1	Fulcrum & Handle Pin, 5/8" x 3"	O54
18	2	Cotter Pin	HF57
19	1	Pump Pin	HF61A
20	1	Handle & Pin Assby, includes #18 & 19	HF153
21	1	Packing Washer	O81
22	1	Base & Plug Assby.-1-1/4"	HD140
---	1	Valve Assby. includes #34 thru 41	HD155
23	1	Standard Pipe Plug, 1-1/4" NPT	HD71
24	2	Bolt, 3/8"-16NC x 2-1/4" L	HD70
25	1	Screen Vent	PS585A
26	1	Gasket	O80
27	1	Siphon Spout for 11HD	O9
28	2	Hex Nut, 3/8"-16NC	UB17
29	1	Spout Screen	HD190
30	1	Strainer	DP31
31	1	Screw, 1/4" x 20 x 3/8" L.	E49N
32	1	Screen Adapter includes #31	HD189
33	1	Hand Pump screen adapter kit	1HPS
34	1	Hex Head cap screw 3/8" x 3-1/2"	HD34
35	1	Handwheel & Screw Assby.	HD156FRO
36	1	Cap	O38FRO
37	2	Hex Nut 3/8" x 16NC	UB17
38	2	Backing Washer	O41
39	2	Rubber Valve Disk	O43
40	1	Separating Washer	O42
41	1	Packing Washer	TP82
42	1	Bibb Spout Body Casting	O37FRO
43	1	Bibb Spout Assby. includes #34-42	O7
44	1	Pipe Plug, 1" NPT	SW33
45	1	Gasket	HD69

Drinking Fountain Pumps

Models 1DFHCS & 1DFHFS



Model No.		1DFHCS & 1DFHFS	
Item	Qty	Description	Ord. No.
1	1	Handle & Pin Assby. includes #2 & 3	HF153
2	1	Pump Pin	HF61A
3	2	Cotter Pin	HF57
4	1	Top Cap	DP60P
5	2	Jam Nut	DP22
6	1	Piston Washer	DP62
7	1	Spacer Ring	DP61
8	1	Outer Shroud Assby	DP66P
9	1	Packing Nut 1 1/8-12-NF	O31
10	1	Teflon Packing	DP134
11	1	Inner Shroud Assby	DP68P
12	1	Piston Rod 20 1/4" Long	DP72
13	1	Rod Coupling	7/16x7/16RC
14	1	Pump Rod Ext. (1DFHFS only) - 4-1/2" Pump Rod Ext. (1DFHCS only) - 13-3/8"	DP90 HD90
15	1	Rod Coupling	7/16x7/16RC
16	1	Cap (includes #16A)	DP202P
16A	3	Set Screw 1/2-13NC x 1-1/2"	HD59
17	2	Cotter Pin	HF57
18	1	Fulcrum & Handle Pin	O54
19	1	Fulcrum includes #17, 18, 20	O400
20	1	Fulcrum & Cap Pin	O53
21	1	Rubber Bumper Assby.	10DP
22	1	Packing Washer	O81
23	2	Bolt-Tank to Base 7/16-14NC x 2" L.	DP70
24	1	Base Includes #25, 26 & 27 for 1DFHFS	HF50
25	1	Pipe Plug, 1" NPT	SW33
26	4	Set Screw-Base 1/2-13NC x 2" L.	HF33
27	1	Gasket-Tank to Base	DP11
28	1	3/4" Socket Plug	DP20
29	1	Screen Vent	PS585B
30	2	Nut, 7/16-14NC	PJ50
31	1	Pipe Plug- 3/4" NPT	DP20
32	4	Screw, 3/8-16 x 1-3/4" L.	TX15
33	1	Valve Handle & Shaft Assby.	DP56
34	1	Cover	DP53FRO
35	1	Valve Parts includes # 36 - 43	DP59
36	1	Valve Spring	DP40
37	1	Snap Ring	DP46
38	1	Spring Washer Cupped	DP47
39	1	Washer (Back up)	SW54
40	1	Spacer	DP48
41	1	Valve	SW11
42	1	Washer-Stainless Steel	UN243
43	1	Hex Lock Nut	DP49
44	1	Strainer	DP31
45	1	Spout	DP39
46	1	Nozzle Screen	DP197
47	1	Nozzle	DP30
48	1	Reservoir Assby, includes #27, 28, 29, 31, 44, 45, 46, 47, 49, 50 & 54	DP58
49	1	Filter Washer	DP196
50	1	Holding Spring	DP195
51	1	Drain Pipe 1" Std. Pipe x 23-3/16" L.	DP18
52	1	Drain Assby. includes #53	DP16
53	2	Set Screw 7/16-14NC x 1/2" L.	DP17
54	1	Cover Gasket	DP12
55	1	Base, includes #27, 25 & 56 for 1DFHCS	HC50
56	1	Screen Vent	PS585A
57	1	Fountain Assembly	158DP
---		Fountain Screening Kit inc. #29,46,49,50,54	199DP
58	1	Syphon Spout	O9