

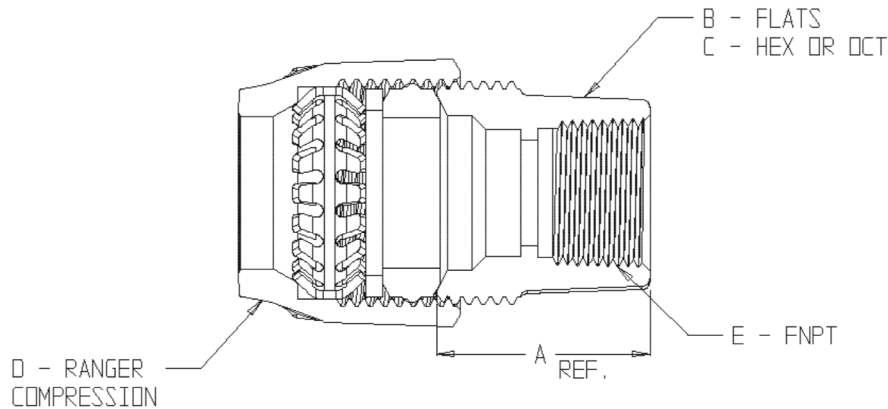
# SUBMITTAL DATA SHEET

NL Service Fitting – 74754-11

-11 Ranger Compression x FNPT



**PATENT PENDING**



MODEL	SIZE	PIPE /TUBE SIZE RANGE (in)	A	B	C	D	E
74754-11	3/4	.871-1.089	1.51	1.36	OCT	3/4	3/4
74754-11	1	1.120-1.399	1.48	1.58	OCT	1	1
74754-11	1 1/4	1.370-1.804	2.07	1.96	OCT	1 1/4	1 1/4
74754-11	1 1/2	1.619-2.109	2.19	2.35	OCT	1 1/2	1 1/2

NOTE: McDONALD RANGER NUTS ARE NOT COMPATIBLE WITH OTHER MANUFACTURERS COMPRESSION NUT SYSTEMS  
McDONALD RANGER NUTS ARE NOT COMPATIBLE WITH OTHER McDONALD COMPRESSION NUT SYSTEMS

## SUBMITTAL INFORMATION

- Manufactured in compliance with ANSI/AWWA C800 (latest revision)
- Brass components in contact with potable water conform to ASTM B584, UNS C89833 (latest revision) and identified with “NL”
- Certified to NSF/ANSI 61 and NSF/ANSI 372
- Brass components not in contact with potable water conform to ASTM B62 and ASTM B584, UNS C83600 -85-5-5-5 (latest revision)
- Large wrench flats provided for proper installation
- Insert stiffeners required on all flexible plastic connections



**A.Y. McDonald Mfg. Co.**  
P.O. Box 508  
Dubuque, IA 52004-508

**Toll Free: 1-800-292-2737**

**Fax: 1-800-832-9296**

**Hours: 7:00 a.m. – 5:00 p.m., CST**

[sales@aymcdonald.com](mailto:sales@aymcdonald.com)

[www.aymcdonald.com](http://www.aymcdonald.com)

A.Y. McDonald considers the information on this assembly drawing correct when published. Item and option availability, including specifications, are subject to change without notice.

**Submitted by:**