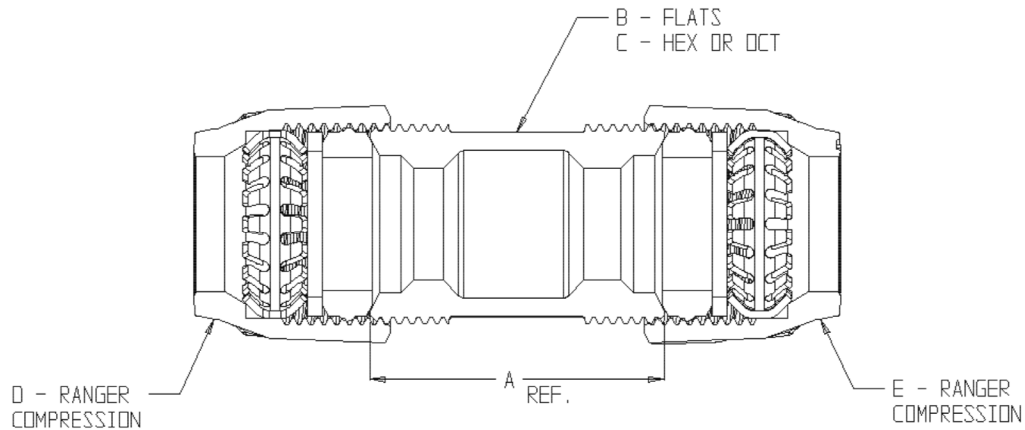


SUBMITTAL DATA SHEET



NL Service Fitting – 74758-11

-11 Ranger Compression x -11 Ranger Compression



MODEL	SIZE	A	B	C	D	PIPE /TUBE SIZE RANGE (in)	E	PIPE /TUBE SIZE RANGE (in)
74758-11	3/4	2.35	1.38	OCT	3/4	.871-1.089	3/4	.871-1.089
74758-11	3/4 X 1	2.67	1.85	OCT	3/4	.871-1.089	1	1.120-1.399
74758-11	1	2.26	1.65	OCT	1	1.120-1.399	1	1.120-1.399
74758-11	1 1/4	3.16	1.70	OCT	1 1/4	1.370-1.804	1 1/4	1.370-1.804
74758-11	1 1/2	3.38	2.00	OCT	1 1/2	1.619-2.109	1 1/2	1.619-2.109

NOTE: McDONALD RANGER NUTS ARE NOT COMPATIBLE WITH OTHER MANUFACTURERS COMPRESSION NUT SYSTEMS
 McDONALD RANGER NUTS ARE NOT COMPATIBLE WITH OTHER McDONALD COMPRESSION NUT SYSTEMS

SUBMITTAL INFORMATION

- Manufactured in compliance with ANSI/AWWA C800 (latest revision)
- Brass components in contact with potable water conform to ASTM B584, UNS C89833 (latest revision) and identified with “NL”
- Certified to NSF/ANSI 61 and NSF/ANSI 372
- Brass components not in contact with potable water conform to ASTM B62 and ASTM B584, UNS C83600 -85-5-5-5 (latest revision)
- Large wrench flats provided for proper installation
- Insert stiffeners required on all flexible plastic connections



A.Y. McDonald Mfg. Co.
 P.O. Box 508
 Dubuque, IA 52004-508

Toll Free: 1-800-292-2737
Fax: 1-800-832-9296
Hours: 7:00 a.m. – 5:00 p.m., CST

sales@aymcdonald.com
www.aymcdonald.com

A.Y. McDonald considers the information on this assembly drawing correct when published. Item and option availability, including specifications, are subject to change without notice.

Submitted by: