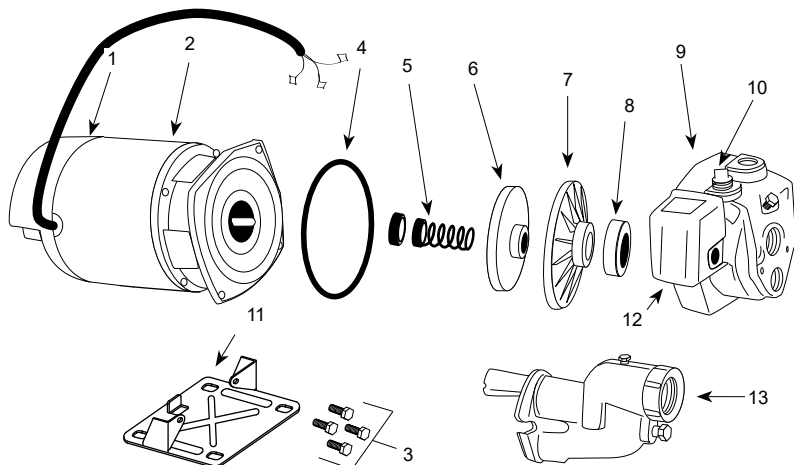


SHALLOW WELL JET PUMP REPAIR PARTS "E" SERIES (For Pricing Refer To Repair Parts Price List)



SERVICE KIT FOR JET PUMPS	
MODEL NO	SERVICE KIT FOR:
148143	1/2HP, "E" Series Jet Pumps*
148141	3/4HP, "E" Series Jet Pumps*
148140	1HP, "E" Series Jet Pumps*
KIT CONTAINS Impeller, Diffuser, Rotary Seal, Square Cut Ring, Diffuser Rubber	

ITEM	HORSEPOWER		1/2	3/4	1
	MODEL NO.:	PART NO.	EK05S	EK07S	EK10S
	DESCRIPTION		QTY.		
1	Motor, Nema J (Thd) Motor Cover w/Screws Screws, Cover Motor Lead Wire	021301R 021302 136135A	98J105 1 2 1	98J107 1 2 1	98J110 1 2 1
2	Mounting Ring	*	135314	135314	136137
3	Hex Hd. Cap Screws 3/8 x 3/4"		4	4	4
4	Ring, Square Cut		132583	132583	132429
5	Seal, Rotary w/Spring	131100	1	1	1
6	Impeller		139348††	139349††	134137
7	Diffuser		132424	132424	132425□
8	Rubber, Diffuser	132428	1	1	1
9	Pump Body		134311	134311	134312
10	Plug, Priming	*	1/2" NPT	1/2" NPT	1/2" NPT
11	Base	128034A	1	1	1
12	Pressure Switch		020345	020346	020346
13	Ejector Body	135021	1	1	1
†	Ejector Gasket Pkg w/Bolts	132404	1	1	1
†	Nozzle		4C39-16	4C39-16	4C39-14
†	Venturi		4C55-26	4C55-30	4C55-32

(*) Standard hardware item
 (†) Not shown
 (††) Impeller w/ 138138 Seal Ring
 (□) Diffuser w/ 134240 Insert